

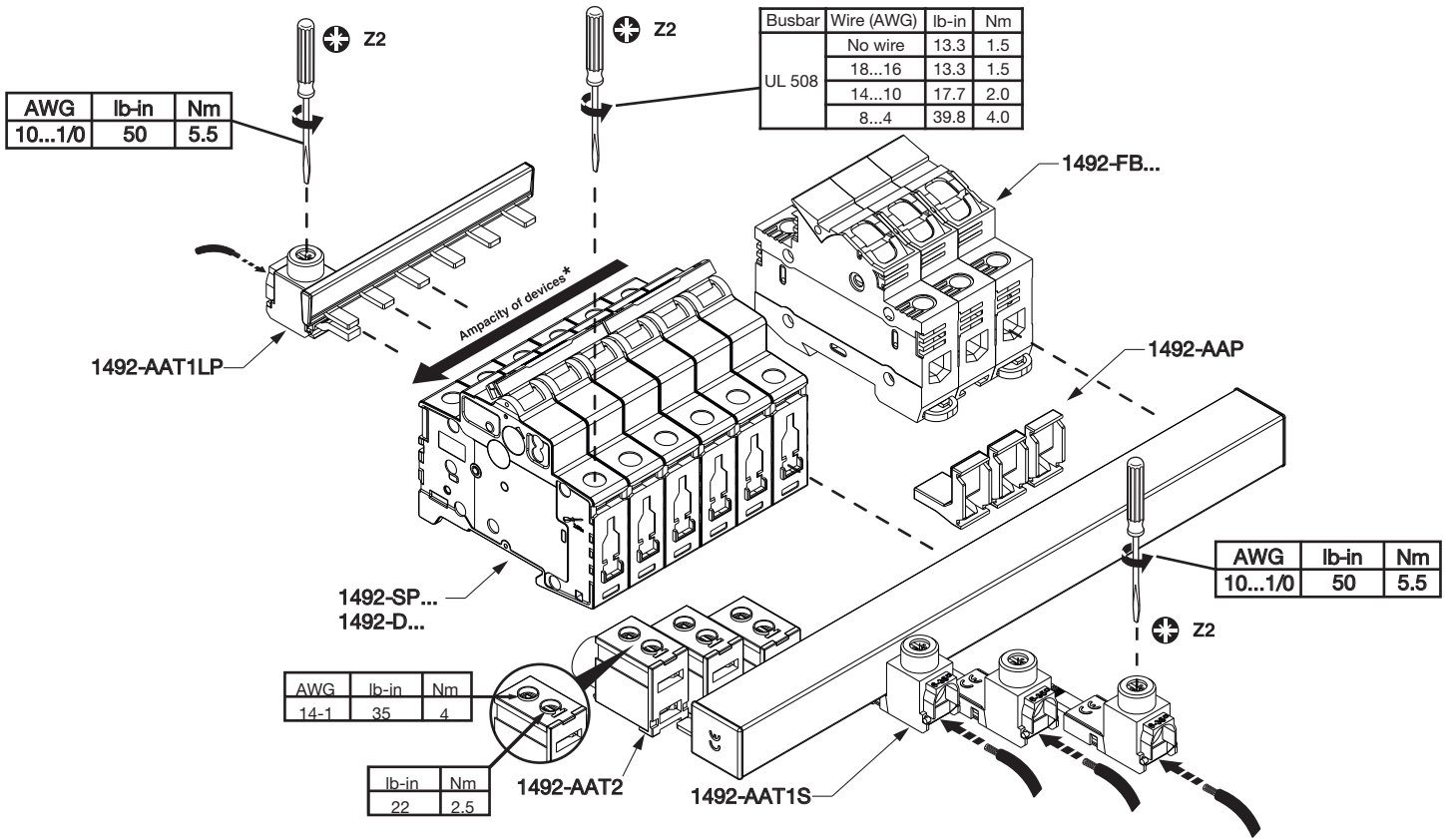


Busbar For Bulletin 1492-SP... / 1492-D... / 1492-FB... (1492-A...)



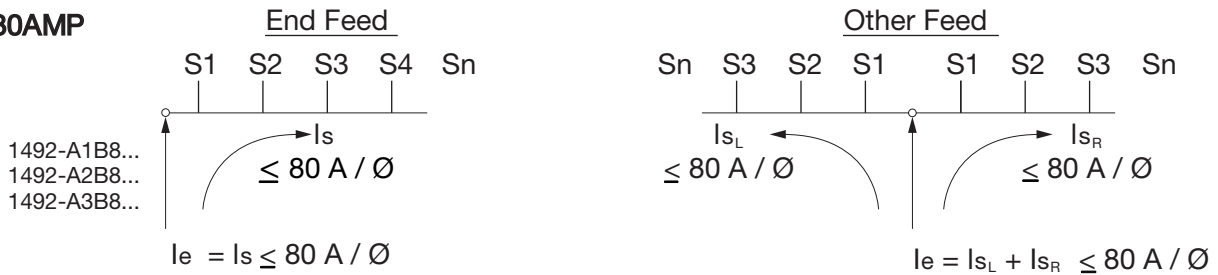
WARNING

To prevent electrical shock, disconnect from power source before installing or servicing.



★ **NOTICE** Position high current drawing devices closest to the Feed Terminal, 1492-AAT1S.

80AMP



100AMP

